

Grand Stands

Ergonomic Workstation Solutions

HD MAX TABLE

Office, lab and industrial spaces have very different requirements. Microscopes, machinery, tools of various weights and sizes along with vibrations bring challenges when creating a height adjustable table. The Grand Stands HD Max table can be customized to fit any application



GRAND STANDS HD MAX TABLE

- BUILT TO LAST
- LIFTS LOADS OF 1000+ LBS
- STABLE SURFACE AT ELEVATED HEIGHTS
- 25.5" HEIGHT RANGE
- MADE IN THE USA!

PART NUMBERS

- L3-HD-4L-28/46-DPM- (B/S) \$5782.00
- L3-HD-4L-28/58-DPM- (B/S) \$5917.00
- L3-HD-KIT (B/S) \$1043.00

LIST PRICE



5th leg for added support and lift capacity available

HD MAX Bi Level Base

The Grand Stands HD MAX Base

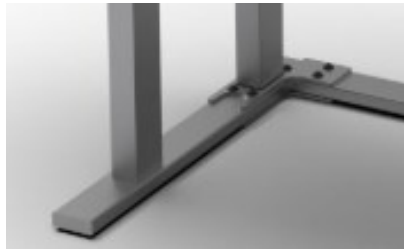
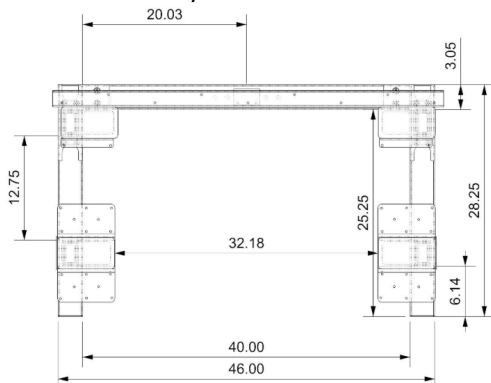
Standard Frame:

- 4-Leg Frame with up to 1000 lbs lifting capacity, 250 lbs per leg
- Stabilizing Beam 40" or 52" long offers two mounting positions on the feet (see below diagram)
- Base Frame ships unassembled - 1"x 3" heavy gauge steel tubing with 1/4" binding plates top and bottom
- Starting height 22.5" from the floor (1 1/4" thick surface), 25.5" total height range
- Very sensitive Impact Detection in up and down directions
- Meets ADA requirements
- Finishes: black, silver or white

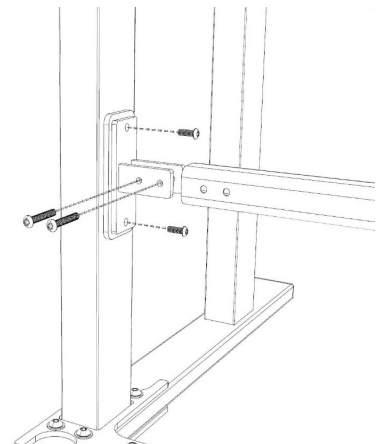
Optional:

- Additional leg (46" base add one leg, 58" base add up to 3 legs)
- Additional cross bar mounts to the outer tube of the leg
- HPL, Stainless Steel or 1" Phenolic Tops available for rectangle, L shape tables or bi-level surfaces
- Casters and battery available, Up/Down or Digital Memory Switches
- Storage Bin and Shelves

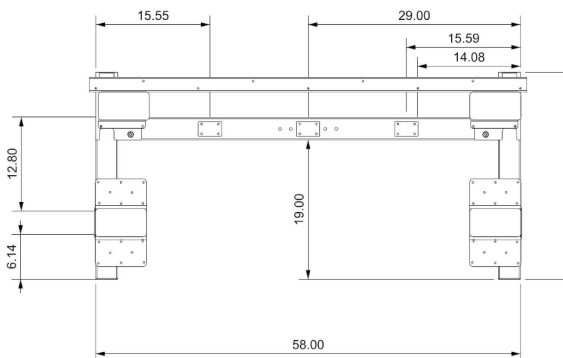
L3-HD-4L-28/46-XX-X shown with stabilizing beam **mounted in the rear**



Optional cross bar mounts to the leg bracket



L3-HD-4L-28/58-XX-X shown with stabilizing beam **mounted in front of back legs**



Optional Open Bin or Shelf suspends from the uprights mounted to the work surface. The shelf or bin is adjustable along the uprights.

