

DUAL LIFT EZ

KEYBOARD SYSTEM



Grand Stands

Ergonomic Workstation Solutions

Since 1991 - Pioneers, Designers &
Manufacturers of the Finest Custom
Ergonomic Solutions

Innovative Ergonomic Workstation Solutions

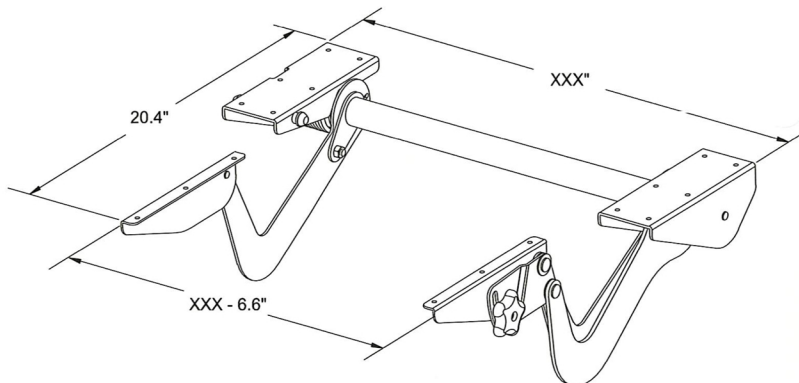
The Grand Stands **Dual Lift EZ** Keyboard system optimizes the workspace by providing a secondary worksurface that is both height and tilt adjustable. Unlike other split top mechanisms, the Dual Lift EZ incorporates Grand Stands unique technology for height adjustment allowing the worksurface to be raised by simply lifting up on it and lowered by tipping it slightly and moving it down.



- ▶ *Customizable*
- ▶ *Made With High-Quality Materials*
- ▶ *Designed With The User in Mind*
- ▶ *Built to Last*

23935: DUAL LIFT EZ KEYBOARD SYSTEM

- ▶ *Travel 6" Above and 6" Below the Worksurface*
- ▶ *Paddle Activated Height Range*
- ▶ *+9° to -15° tilt Knob Adjusted Tilt*
- ▶ *Numerous widths available*
- ▶ *Lift and Set, Spring- Assisted Height*
- ▶ *Spring Options 15 lbs - 20 lbs.*
- ▶ *Color: Black*



*YY = Spring Option (15 or 20 lb.);
XXX = width (see drawing)

#23935-24" Width
#23935-28" Width
#23935-36" Width