

ACADEMY

MONITOR ARM SERIES



Grand Stands

Ergonomic Workstation Solutions

Since 1991 - Pioneers, Designers & Manufacturers of the Finest Custom Ergonomic Solutions

Ergonomic Design For Easy Dual Monitor Use

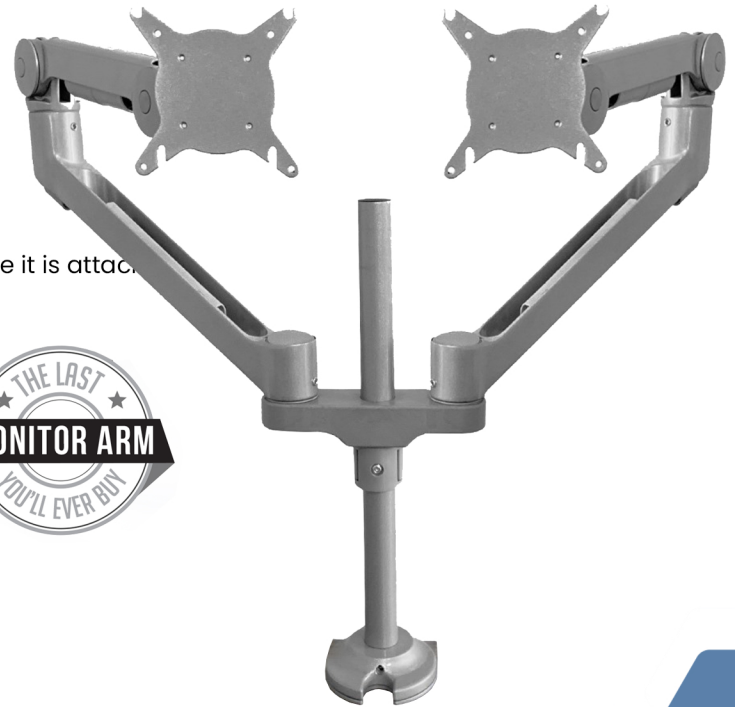
Entry-level monitor arms suffer from screen bounce, limited height range and flimsy construction. Grand Stand's **ACE15** means you don't have to sacrifice quality for price anymore. The **ACE15** is value priced, but durable and beautiful.

The Academy Series introduces industry changing **ONE-WAY Friction Lock Technology**. The **ACE15 Dual Hub Monitor Arms** features a 16" Pole, 15" of height range from where it is attached to the pole. Our intelligent engineering provides ease of use and stability when typing.

With no bottom weight load, the **ACE15** supports a monitor from 0 to 20 pounds.

Features

- 15" Vertical Height Range w/ 16" Pole
- Tilt Adjustment, Swivels Portrait to Landscape
- 23.6" Front to Back Distance, Compacts to 4"
- VESA Compliant
- Clamp and Grommet Mount Included
- 0 to 20 Pounds of Supported Weight For Single Monitor
- Very Stable and Limited Bounce When The User is Typing
- Standard Color Silver (-S) Black Available (-B) and White (-W)
- Internal Cable Management
- 10-Year Warranty w/ No Gas Cylinder to Fail
- Easy Installation - Ships Assembled



ACE15 DUAL

ACE15-P16-2DH-S Dual Hub Monitor Arm (Silver) List Price \$880.00

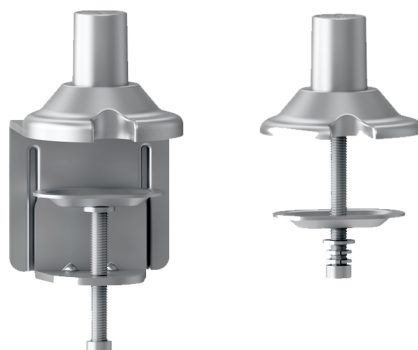
Available Colors



Silver

Mounting Options

Clamp & Grommet Included



Dual Hub Monitor Arm System



ACADEMY

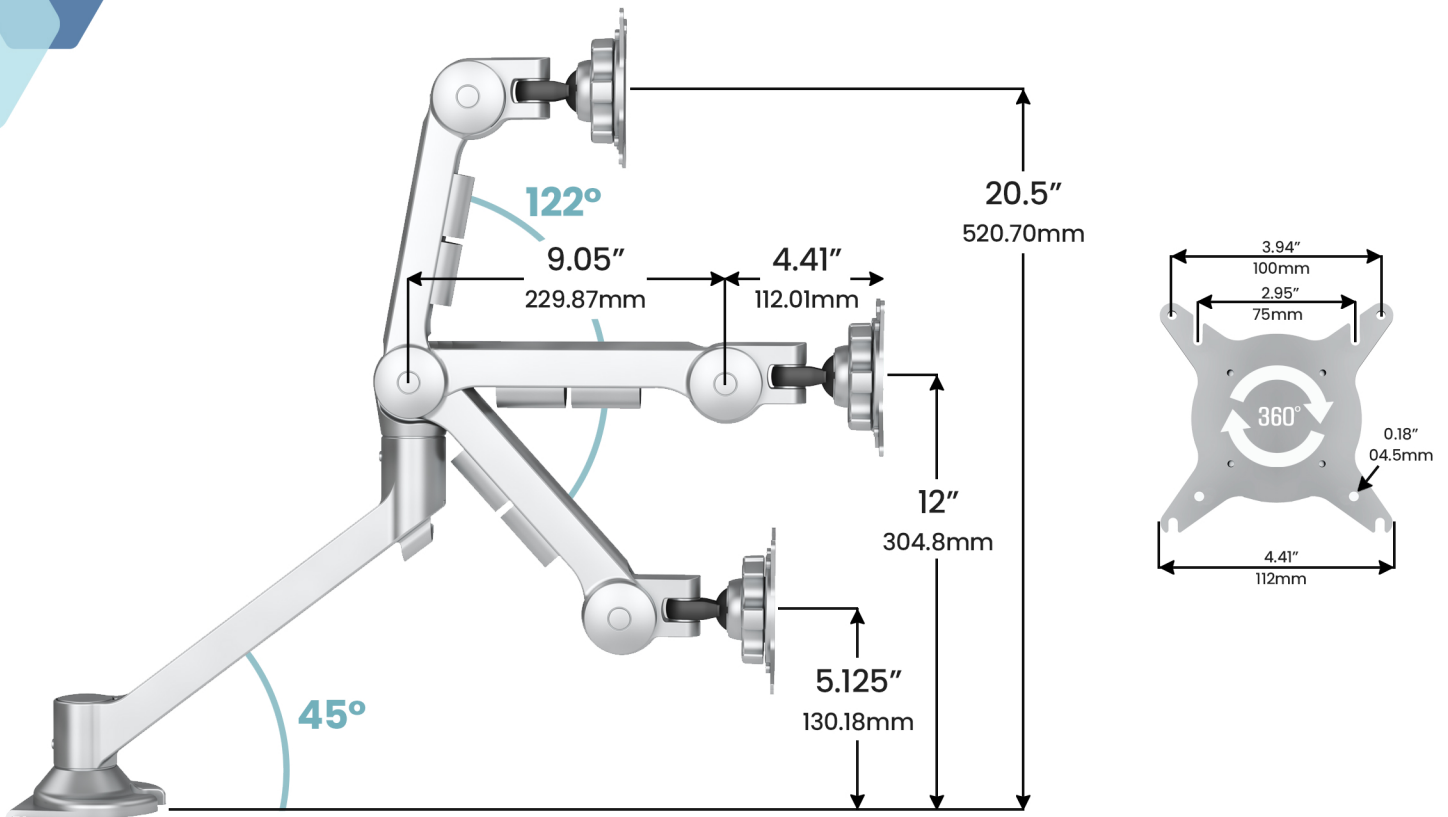
MONITOR ARM SERIES



Grand Stands

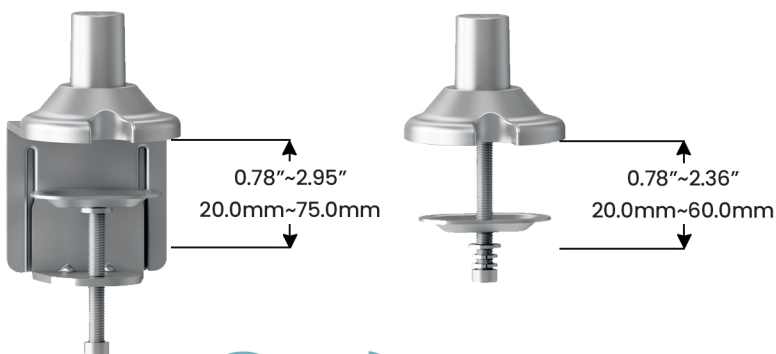
Ergonomic Workstation Solutions

Since 1991 - Pioneers, Designers & Manufacturers of the Finest Custom Ergonomic Solutions



ACE15 DUAL

Mounting Options



- ▶ Height Range: 15"
- ▶ Maximum Extension From Post: 23.6"
- ▶ Depth From Post (Closed): 0"
- ▶ Tilt Adjustment: ±15°
- ▶ Display Pan Swing - Side to Side: 180°
- ▶ VESA Compatibility: 75x75mm/100x100mm
- ▶ Weight Capacity: 0-20 lbs.

