

ACADEMY

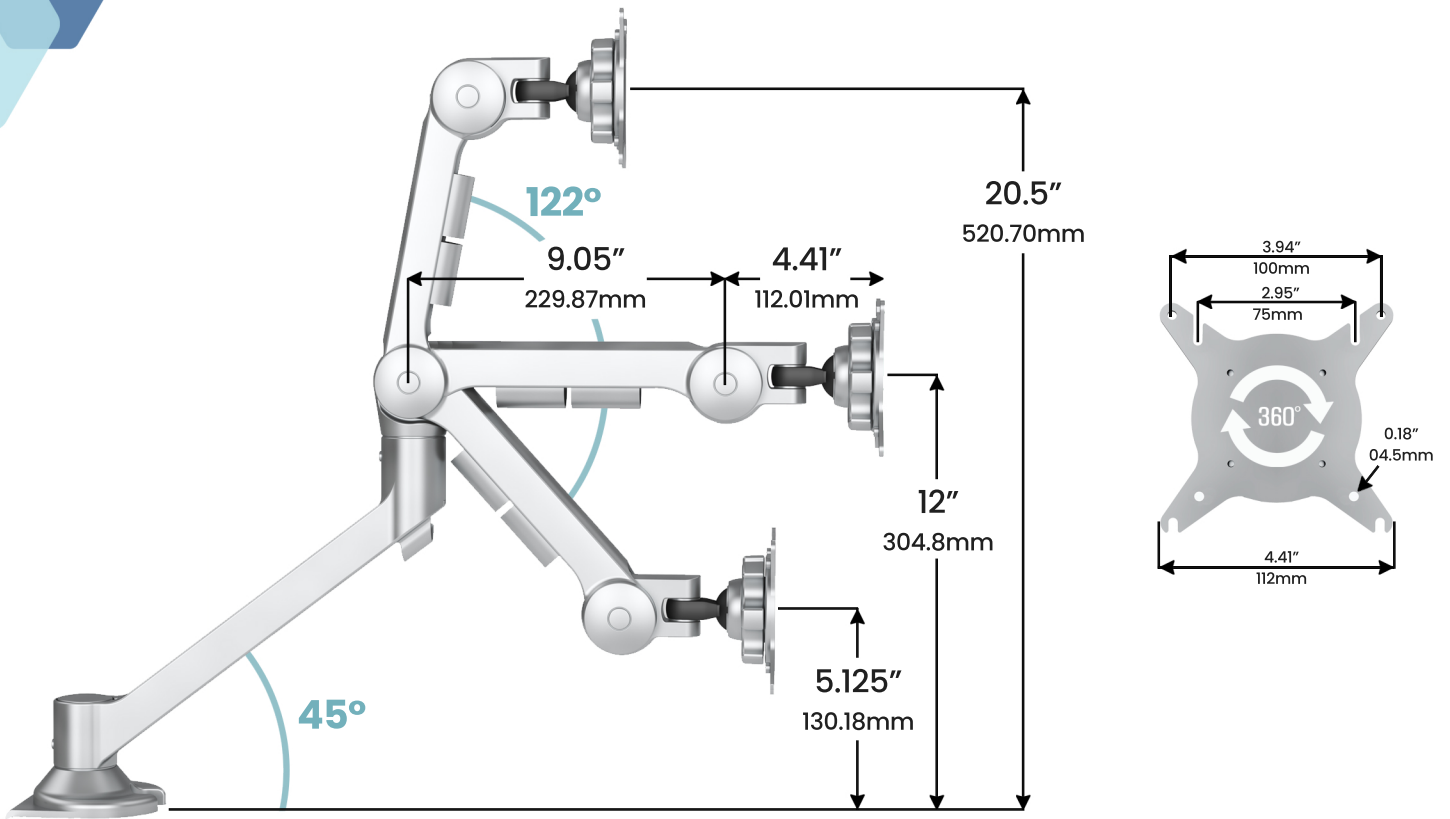
MONITOR ARM SERIES



Grand Stands

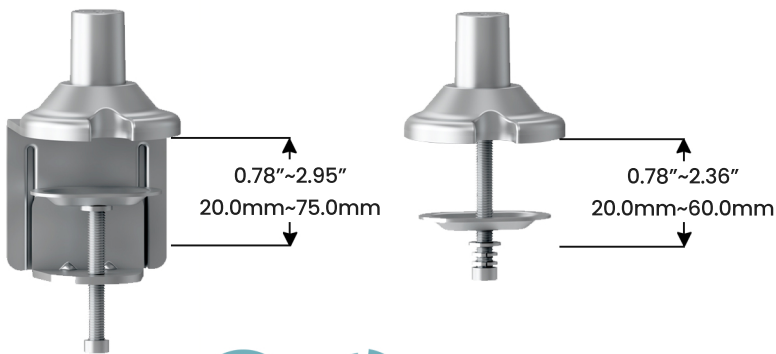
Ergonomic Workstation Solutions

Since 1991 - Pioneers, Designers & Manufacturers of the Finest Custom Ergonomic Solutions



ACE15

Mounting Options



- Height Range: 15"
- Maximum Extension From Post: 23.6"
- Depth From Post (Closed): 0"
- Tilt Adjustment: $\pm 15^\circ$
- Display Pan Swing - Side to Side: 180°
- VESA Compatibility: 75x75mm/100x100mm
- Weight Capacity: 0-20 lbs.

