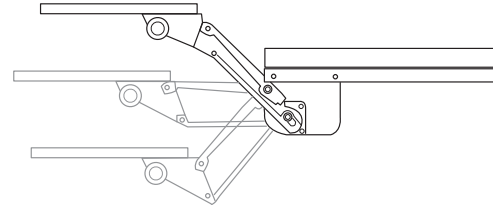


Grand Stands: *Sit - Stand Series*

23500 Click!t Arm

- Spring assisted; maximum stability
- 11 1/2" height adjustment, 4" above mounting surface
- Knob for tilt release, 10° positive and 10° negative
- 360° swivel
- Retractable on a split glide track (17 1/2" + 4 1/2" extension)

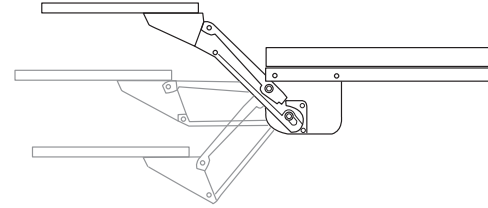
List:**214.00**



23500-II Click!t 2 Arm

- Spring assisted; maximum stability
- Knobless 11 1/2" height adjustment, 4" above mounting surface
- Knobless tilt release, 10° positive and 10° negative
- 360° swivel
- Retractable on a split glide track (17 1/2" + 4 1/2" extension)

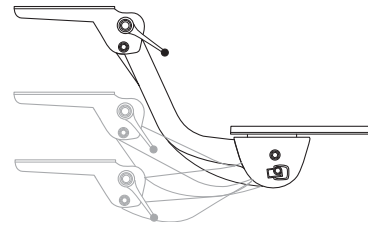
List:**228.00**



23800 Mongoose Arm

- Spring assisted
- Knobless 11 1/2" height adjustment, 7" above mounting surface
- Handle for tilt release, 10° positive, 15° negative
- 360° swivel
- Retractable on 23" glide track

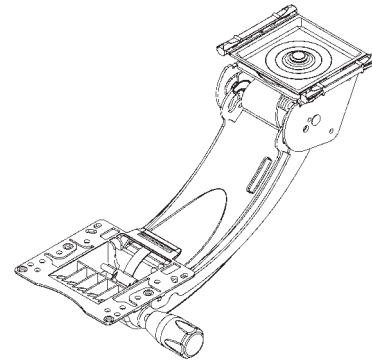
List:**256.00**



23875 Mongoose 2 Dial Tilt Arm

- 14.3" total lift and lock height adjustment range (8.5" above mounting surface, 5.875" below)
- Knob for tilt adjustment (10° positive, 15° negative)
- Tilt dial indicator and height gauge
- Retractable on 21 3/4" glide track

List:**268.00**



23900 Dual Lift Arm

This arm is used for greater stability on extra wide or extra heavy keyboard surfaces

- Paddle for 13 1/2" height adjustment - 7" up, 6 1/2" down,
- Knob for tilt, 15° positive, 15° negative
- Standard widths 23" or 27"
- Custom sizes available. Upcharge applies
- Non-retractable

List:**428.00**

