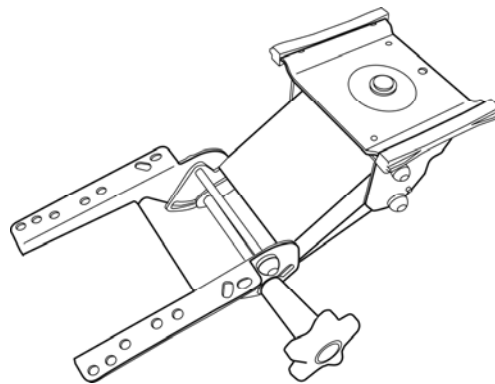




Installation Instructions **23200GS Atlas Arm**



- 1) Mount the track under desk centered in the knee space, with either edge forward, approximately $\frac{1}{4}$ " back from the front edge. Use 8 larger wood screws. Install a plastic track guard onto the back of the track with 2 **flathead** screws.
- 2) Align the holes in the arm with the center back of the platform and attach with 4-6 wood screws (for $\frac{5}{8}$ " thick wood platforms) or 4 bolts and nuts (for $\frac{1}{4}$ " thick Milan or ET2/ET3 platforms).
- 3) Insert the arm and platform into the track. Install front track guard with remaining 2 **flathead** screws.

The arm and tray can now be stored under the desk or put in the desired height and tilt position.

For further questions, please call Grand Stands, Inc. at 1-800-831-2150